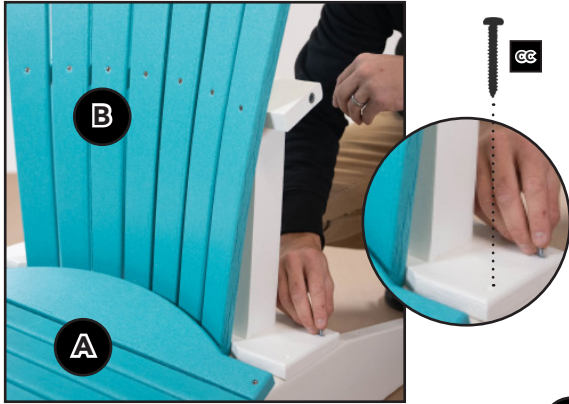


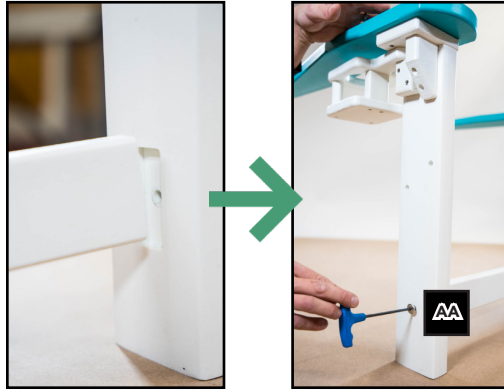
# AC01/AC02

# CLASSIC ADIRONDACK CHAIR // ASSEMBLY INSTRUCTIONS



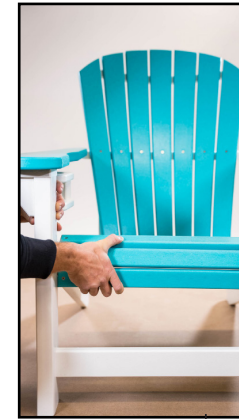
1 PLACE 4 SCREWS (CC) TO CONNECT THE BACK (B) TO THE SEAT (A).

2

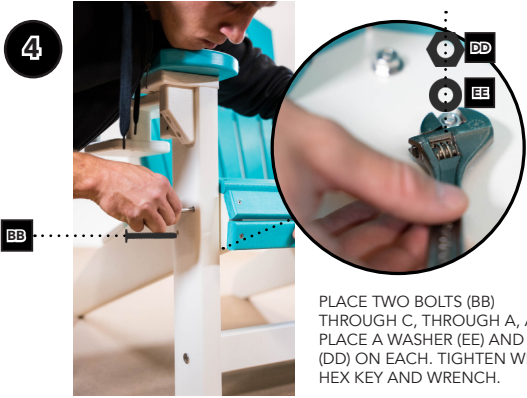


2 LINE UP THE CROSS BRACE (D) WITH THE APPROPRIATE GROOVE ON ARM REST (C). USE HEX BOLT AA TO CONNECT TOGETHER.

3

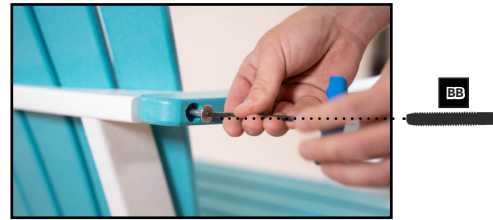


AFTER BOTH ARMS ARE CONNECTED WITH THE CROSS BRACE, PUT THE SECTIONS FROM STEP 1 AND STEP 2 TOGETHER.



4 PLACE TWO BOLTS (BB) THROUGH C, THROUGH A, AND PLACE A WASHER (EE) AND NUT (DD) ON EACH. TIGHTEN WITH HEX KEY AND WRENCH.

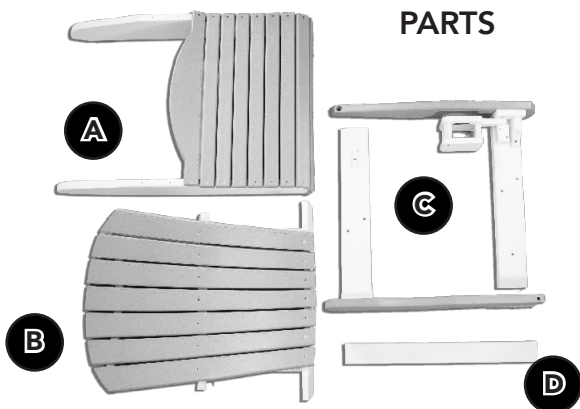
5



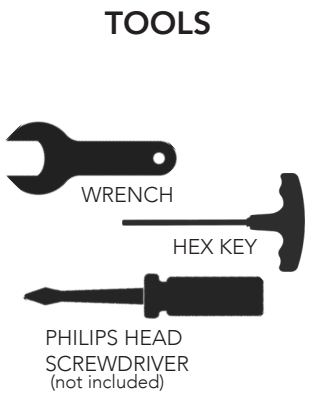
5 TAKE FINAL BOLTS (BB) AND CONNECT THE BACK END OF EACH ARM TO THE BACK OF THE CHAIR.

6

6 TA-DA! YOU'RE DONE. NOW IT'S TIME TO RELAX AND SIT DOWN.



## PARTS



## TOOLS



## HARDWARE



## AMISH COUNTRY ASSEMBLY INSTRUCTIONS



**CLASSIC ADIRONDACK**  
**AC01**  
**AC02** (not pictured)

**THANK YOU** *Thank you for choosing Amish Country Poly. We are confident you'll love this beautiful piece of craftsmanship, and that you'll continue to choose Amish Country for all of your outdoor furniture needs and wants.*

For cleaning and maintenance tips, as well as Frequently Asked Questions about our furniture, visit:

**[amishcountry.com](https://www.amishcountry.com)**



**FOLLOW US ON:**



**@amishcountrypoly**